

IQ 700 Digital Weight Indicator



* Floating ground may require isolation

APPROVALS



Measurement
Canada
Approved

SPECIFICATIONS

Excitation Voltage:

10VDC, fixed, short-circuit proof
Load cell current: 240 mA maximum
(8 x 350 Ω load cells)

Analog Signal Input Range:

-0.6 mV/V - 3.33 mV/V

Analog Sensitivity:

0.3 microvolts/graduation minimum

Conversion Rate At Full Scale:

10 updates per second, typical

Resolution:

80,000 displayed graduations 100,000
internal graduations

Display:

Six red Light Emitting Diode (LED) digits,
0.6 in (15.2mm)

Keyboard:

21 key overlay; pushbutton switches

STANDARD FEATURES

- Bright Light Emitting Diode (LED) display
- AC power
- Stainless steel NEMA 4X enclosure
- Front panel digital calibration
- Automatic zero and span temperature compensation
- Excitation for eight 350Ω load cells at 10VDC
- Two fully programmable setpoints with "Zero Band"
- Two serial ports offering bidirectional RS-232 and simplex RS-232 or 20 mA current loop
- Gross/Tare/Net computation
- Time and date
- Accumulator
- 300-truck ID memory
- Versatile tilt stand
- Setup parameters printout

Front-Panel Control Switches:

Zero, Gross/Net, Auto Tare, lb/kg conversion, Print, Tare Recall, SP1, SP2 and Data Entry Keys

Front-Panel Annunciators:

Center Zero, Net, Gross, lb, kg and Motion (LED)

Serial Outputs:

Port 1: Bidirectional RS-232* or 20 mA.
Port 2: Simplex RS-232* or 20 mA current loop; truck IN/OUT only on port 2

Setpoints:

2 bi-polar setpoint outputs, TTL compatible equipped with "zero band" which operates at a programmable number of graduations around zero

Power:

Power input: 115VAC at 20 watts at 50/60Hz (Optional 230VAC, 50 Hz)
Power consumption: 20 watts typical

Operating Temperature:

Legal: 14°F to 104°F (-10°C to 40°C)

Rating/Material:

NEMA 4X stainless steel

Weight:

9.5 lb (4.3 kg)

Warranty:

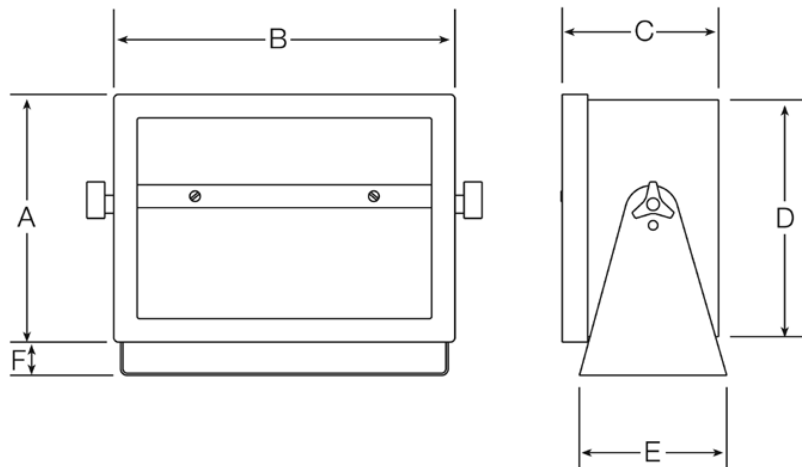
Two-year limited warranty

Approvals:

NTEP CC 89-023, Class III/III L 10,000d
Measurement Canada S.WA-4131

DIMENSIONS

A	6.62 in (168 mm)	D	6.34 in (161 mm)
B	9.12 in (231 mm)	E	3.94 in (100 mm)
C	4.18 in (106 mm)	F	0.90 in (22 mm)



IQ 700 Digital Weight Indicator**PART NUMBER/PRICE**

PART #	DESCRIPTION	EST. SHIP WEIGHT	PRICE
19191	IQ 700 LED display, 115VAC†	14 lb	Consult
34752	IQ 700 LED display, 230VAC†	14 lb	Consult

OPTIONS/ACCESSORIES

PART #	DESCRIPTION	PRICE
30352	KBT71116-5 Panel mount kit*	Consult
15959	Unlatched dry contact 4-relay board	Consult
55660	Analog output, 0-10VDC or 4-20 mA (internal mount, 16-bit new version)	Consult
55662	Combination relay and analog board	Consult
16815	Technical manual	Consult
16821	Additional installation manual	Consult
Primary Component Parts		
19571	CPU board, 115VAC	Consult
19601	CPU board, 230VAC	Consult
56897	Surge suppressor board	Consult
19573	LED display board	Consult
19404	Overlay front panel	Consult
19539	Overlay red display	Consult
16444	250 mA fuse	Consult
92777	Filter, Gortex vent kit	Consult

* Panel mount kit is not NEMA rated



† NEMA 5-15 plug